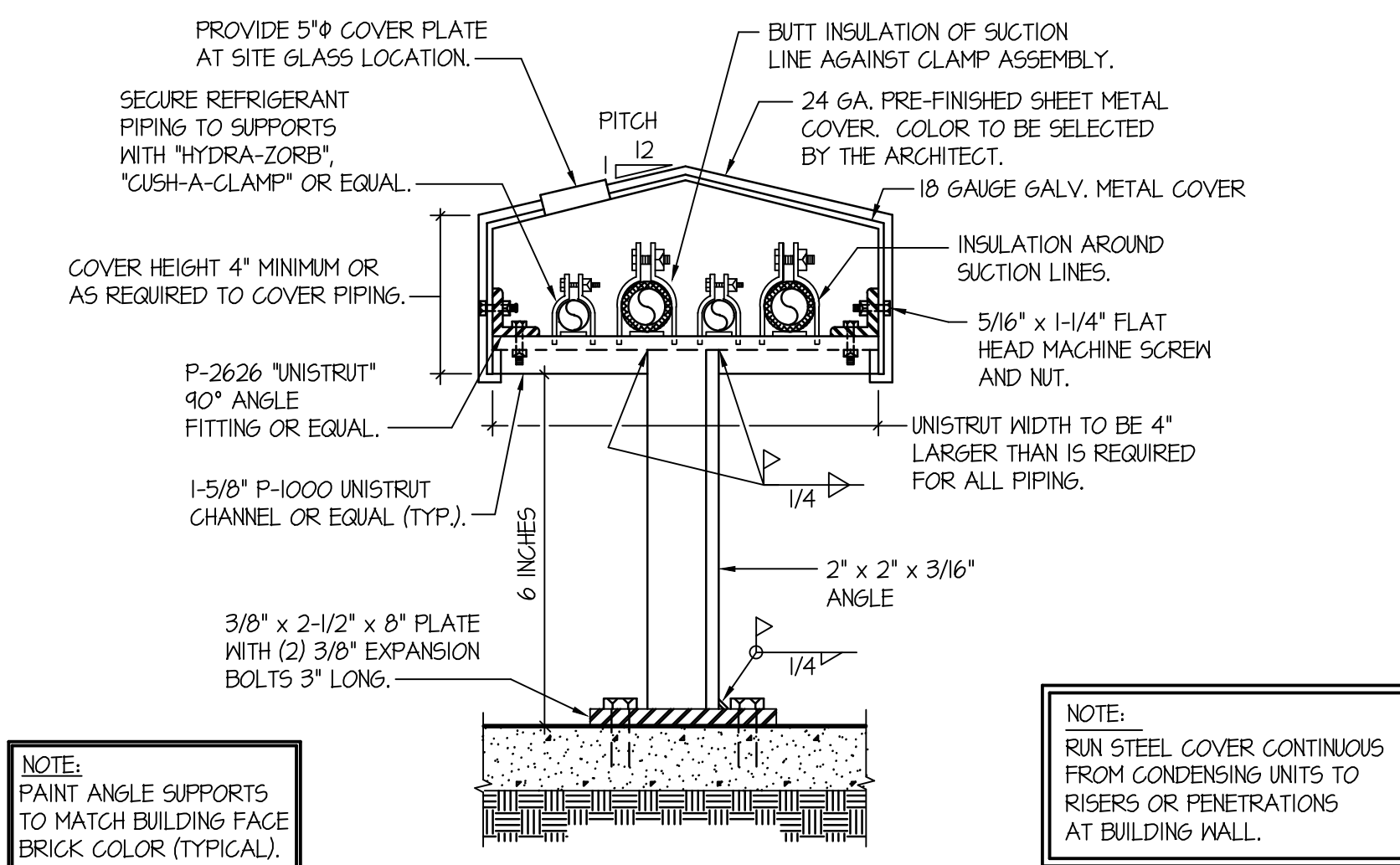
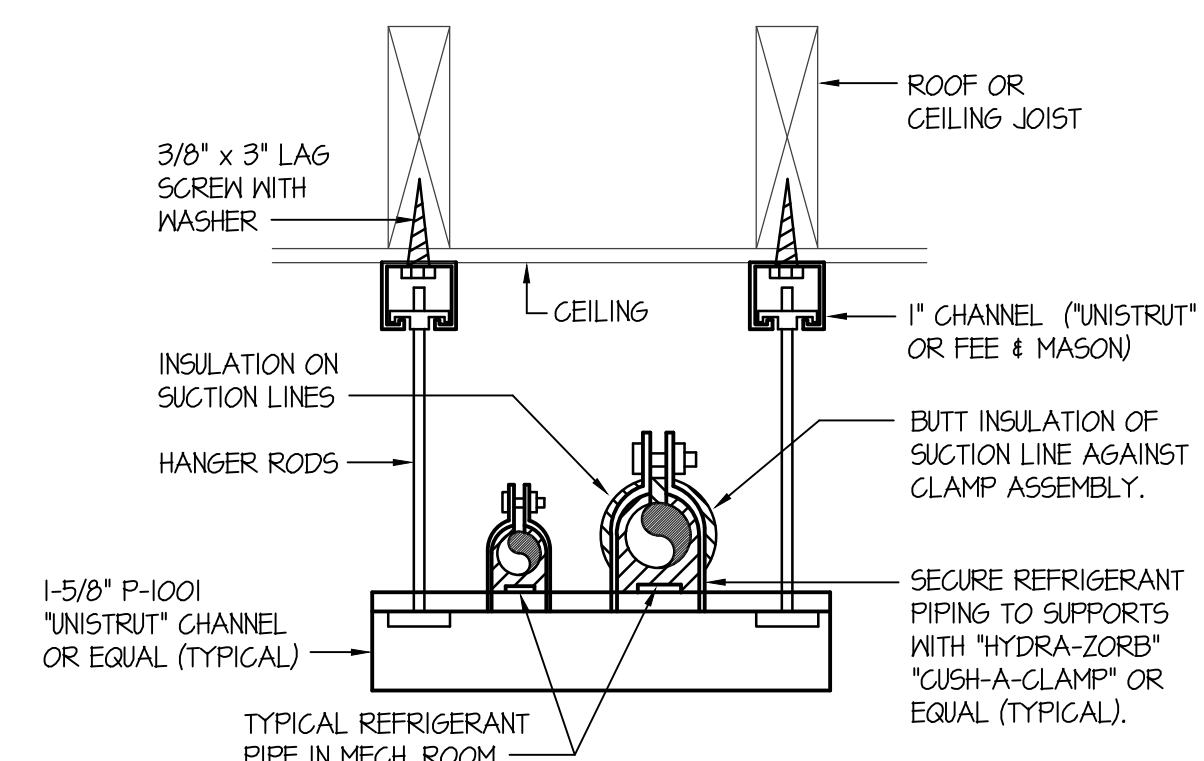


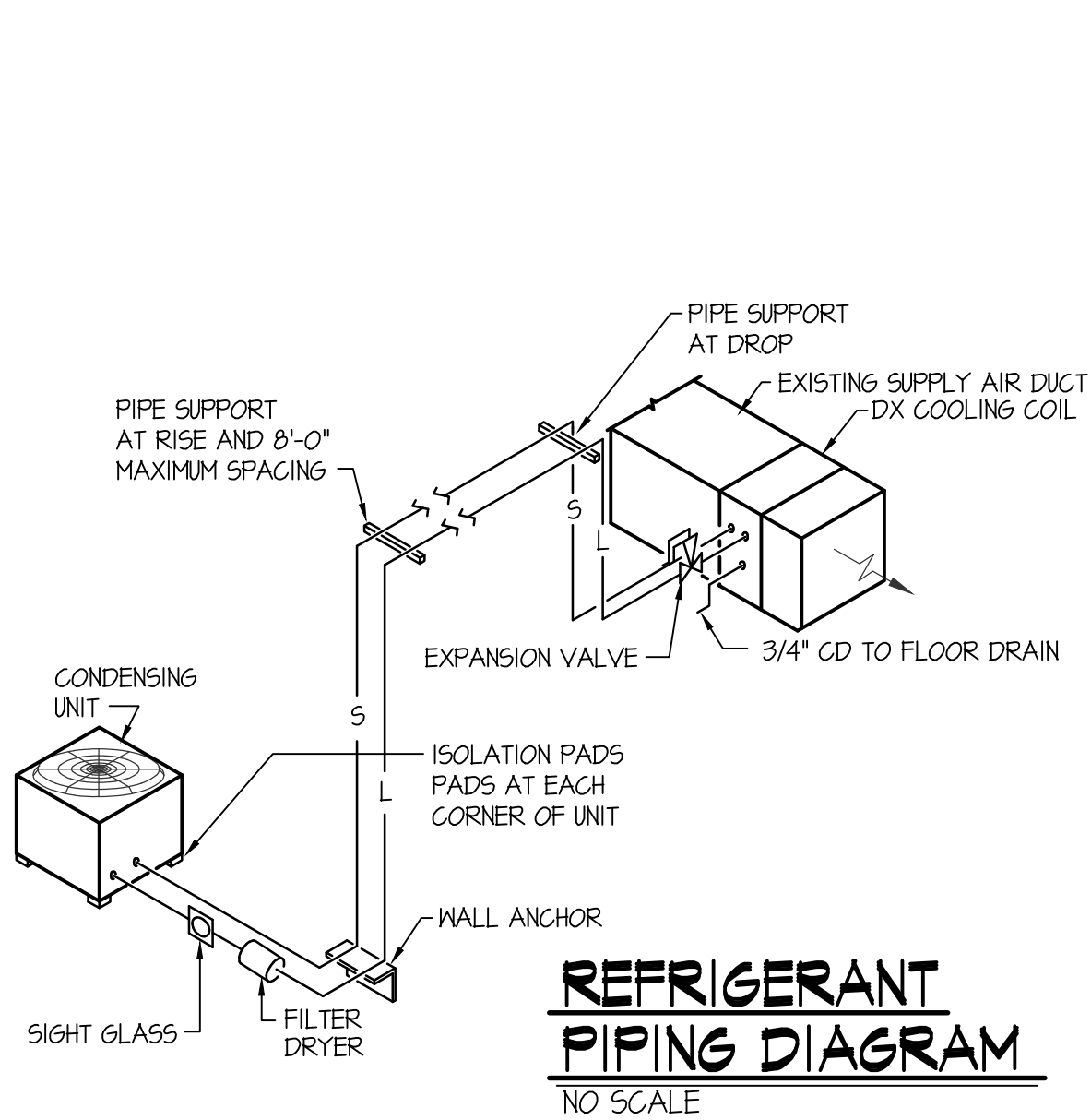
REFRIGERANT PIPING SUPPORT AT WALL
NO SCALE



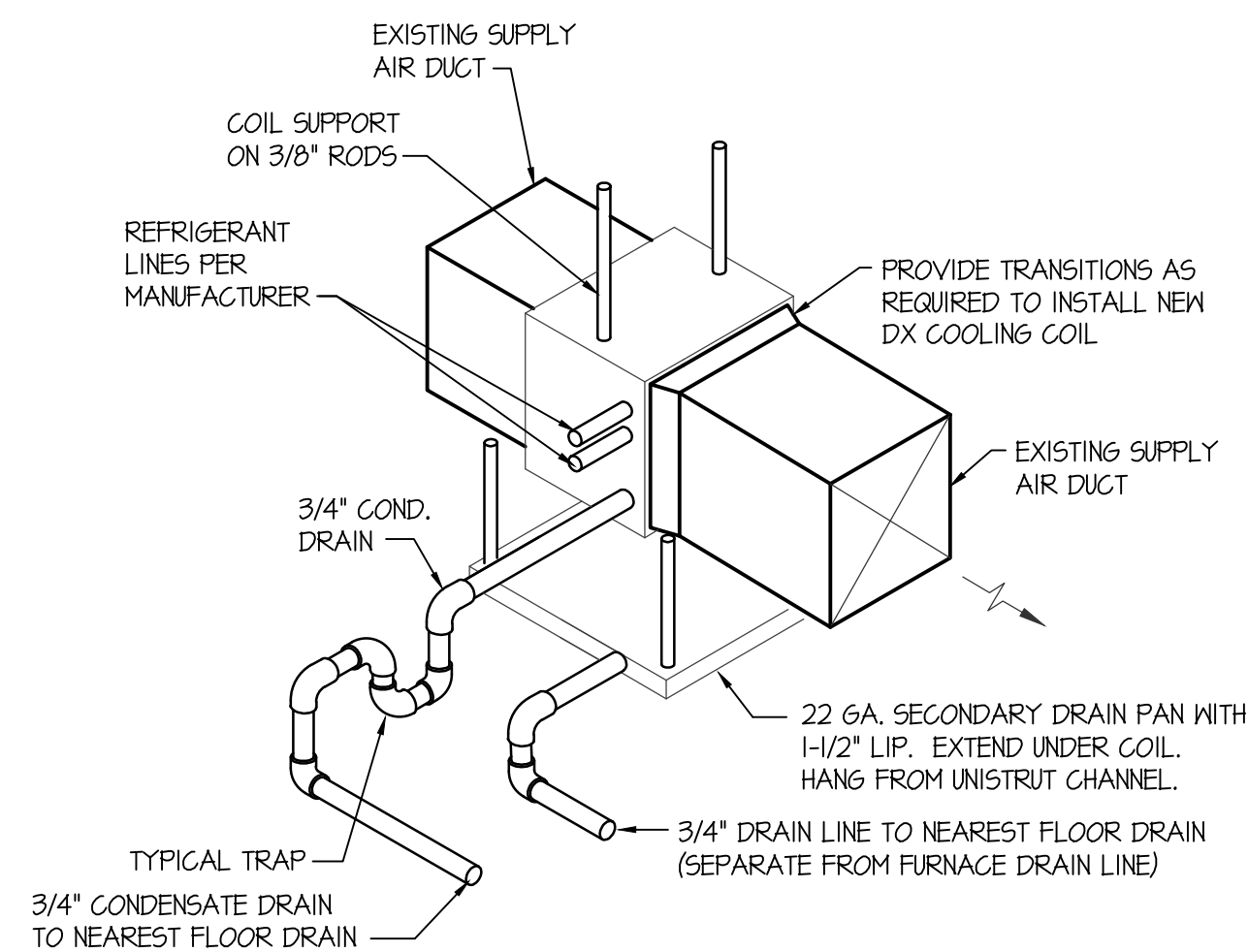
REFRIGERANT PIPE SUPPORT DETAIL
NO SCALE



SUSPENDED PIPE SUPPORT
NO SCALE



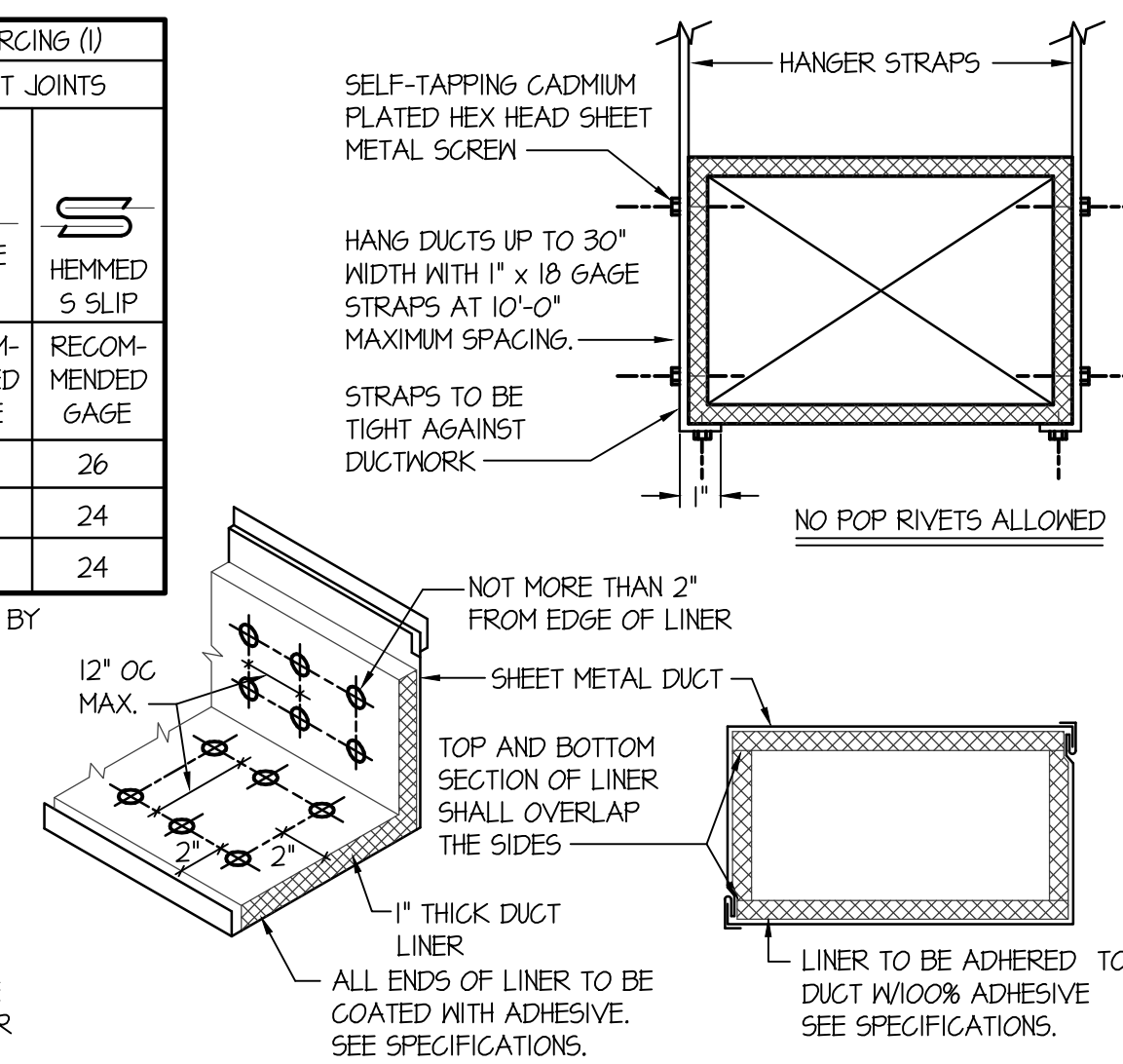
REFRIGERANT PIPING DIAGRAM
NO SCALE



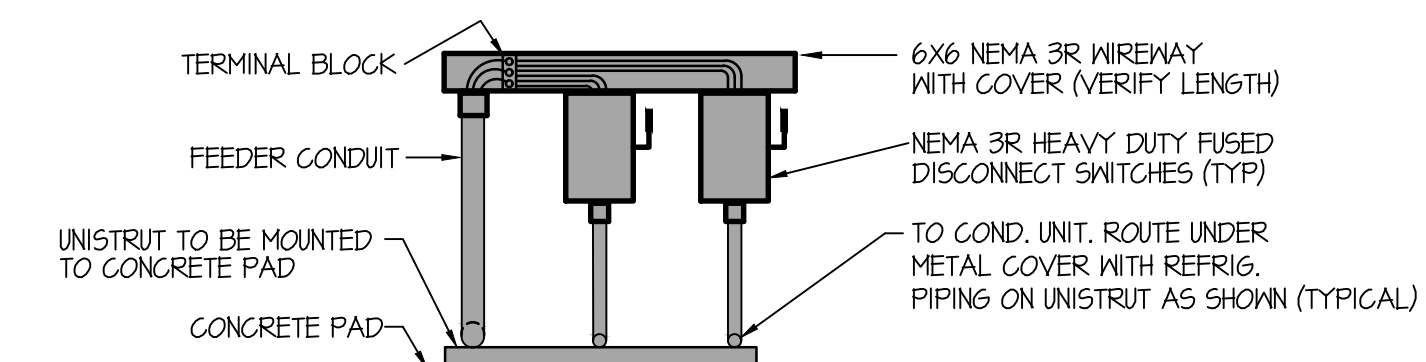
HORIZONTAL DX COIL DETAIL
NO SCALE

DIMENSION OF LONGEST SIDE, INCHES	SHEET METAL GAGE (ALL FOUR SIDES)	TRANSVERSE REINFORCING (1)			
		MINIMUM REINFORCING ANGLE SIZE AND MAXIMUM LONGITUDINAL SPACING BETWEEN TRANSVERSE JOINTS 4\"/>			
		DRIVE SLIP	HEMMED 5 SLIP	RECOMMENDED GAGE	RECOMMENDED GAGE
UP THRU 12	26	NONE REQUIRED	26	26	
13 - 18	24	NONE REQUIRED	24	24	
19 - 30	24	1"x1/8" @ 60 IN	-	24	

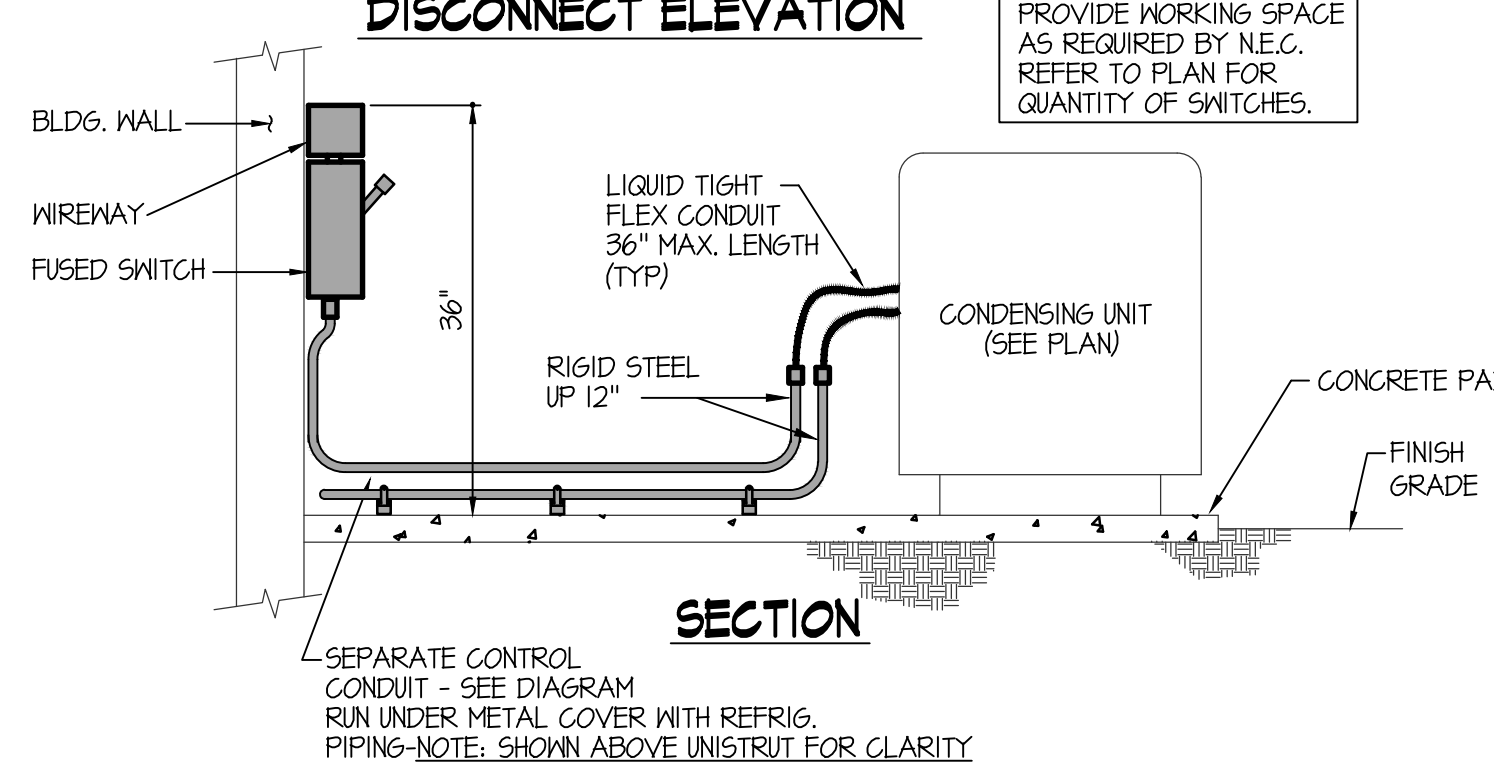
(1) TRANSVERSE REINFORCING SIZE IS DETERMINED BY DIMENSION OF SIDE TO WHICH ANGLE IS APPLIED.
METAL FASTENERS - O-MARK INSULPING, DURO DYNE FASTENERS OR GRIPNAILS.
GRIP NAILS SHALL BE INSTALLED BY GRIPNAIL AIR HAMMER OR BY AUTOMATIC FASTENER EQUIP.



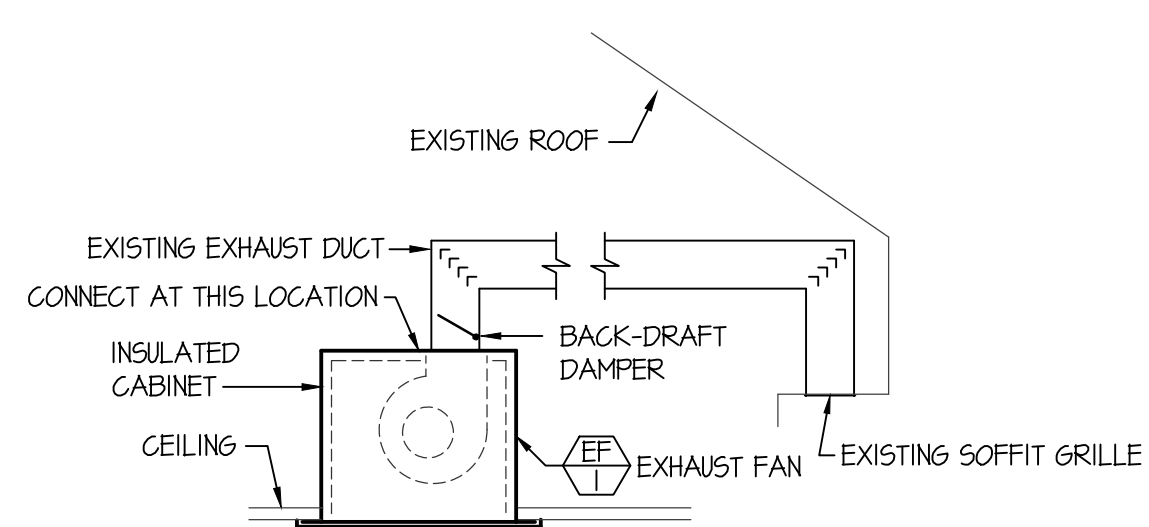
DUCT CONSTRUCTION AND HANGER DETAIL
NO SCALE



NOTE
LOCATE SWITCHES TO PROVIDE WORKING SPACE AS REQUIRED BY N.E.C. REFER TO PLAN FOR QUANTITY OF SWITCHES.



CONDENSING UNIT - CONDUIT DIAGRAM
NO SCALE (ABOVE SLAB)



EXHAUST FAN DETAIL
NO SCALE

ORIGINAL DRAWING SIGNED BY: DWAYNE C. SUDWEEKS
DATE ORIGINAL SIGNED: JULY 7, 2017
ORIGINAL ON FILE AT ENGINEERED SYSTEMS ASSOCIATES
1355 EAST CENTER, POCA TELLO, IDAHO 83201

Engineered Systems Associates
1355 EAST CENTER
POCA TELLO, IDAHO 83201
PHONE: (208) 233-0501
FAX: (208) 233-0529
EMAIL: esa@engsystems.com
ESA JOB NUMBER: 16091