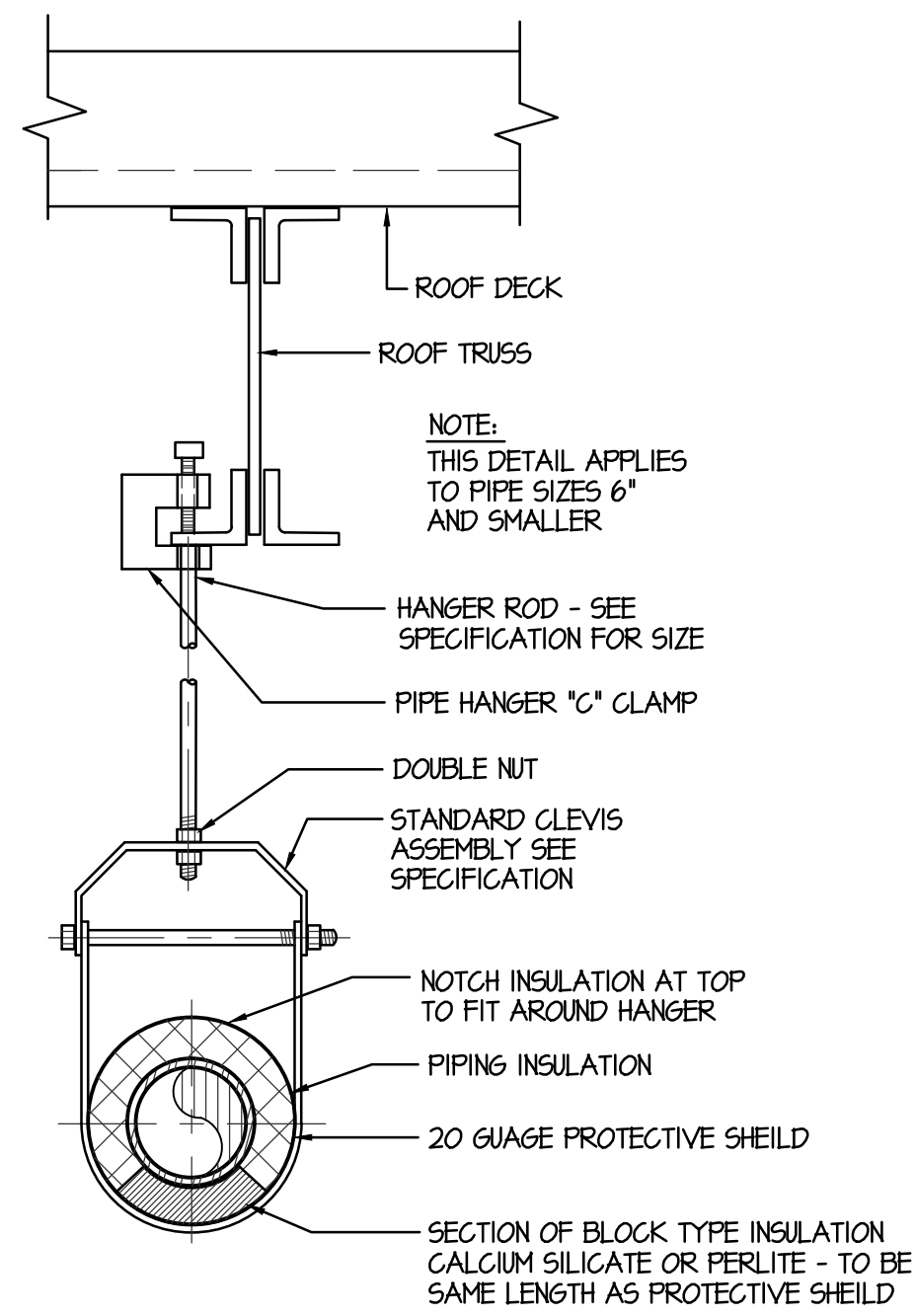
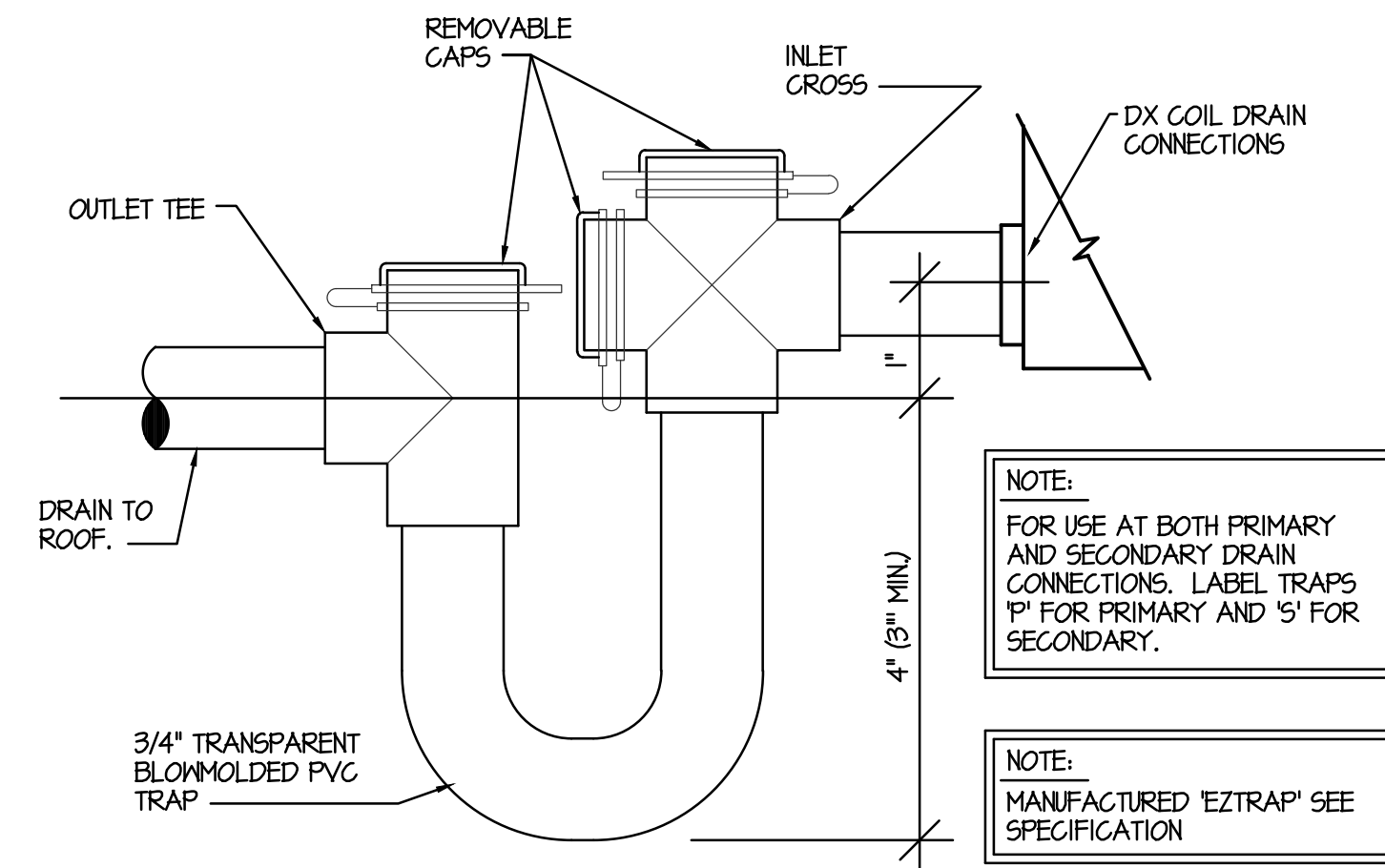


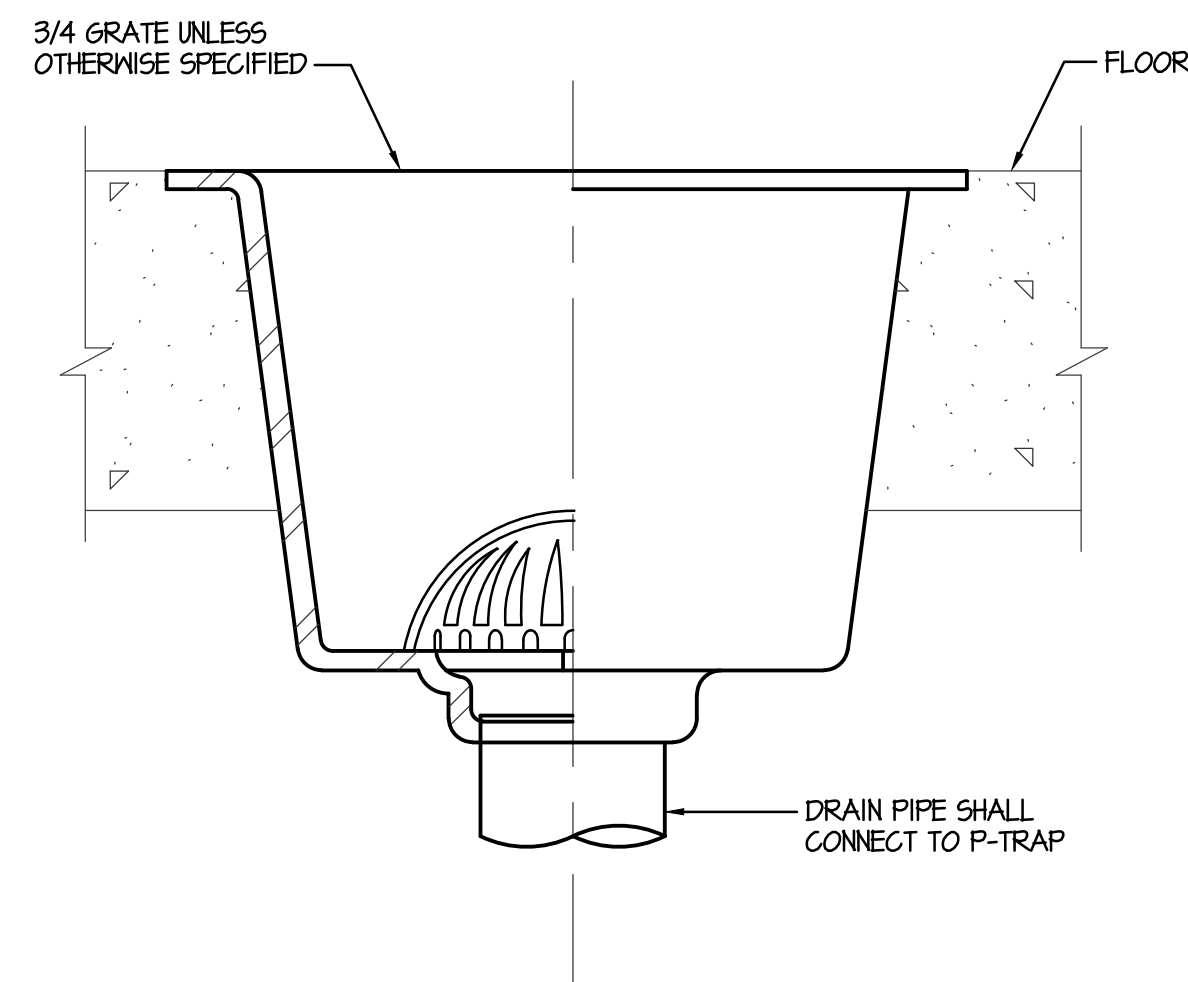
A CLEANOUT DETAILS
NO SCALE



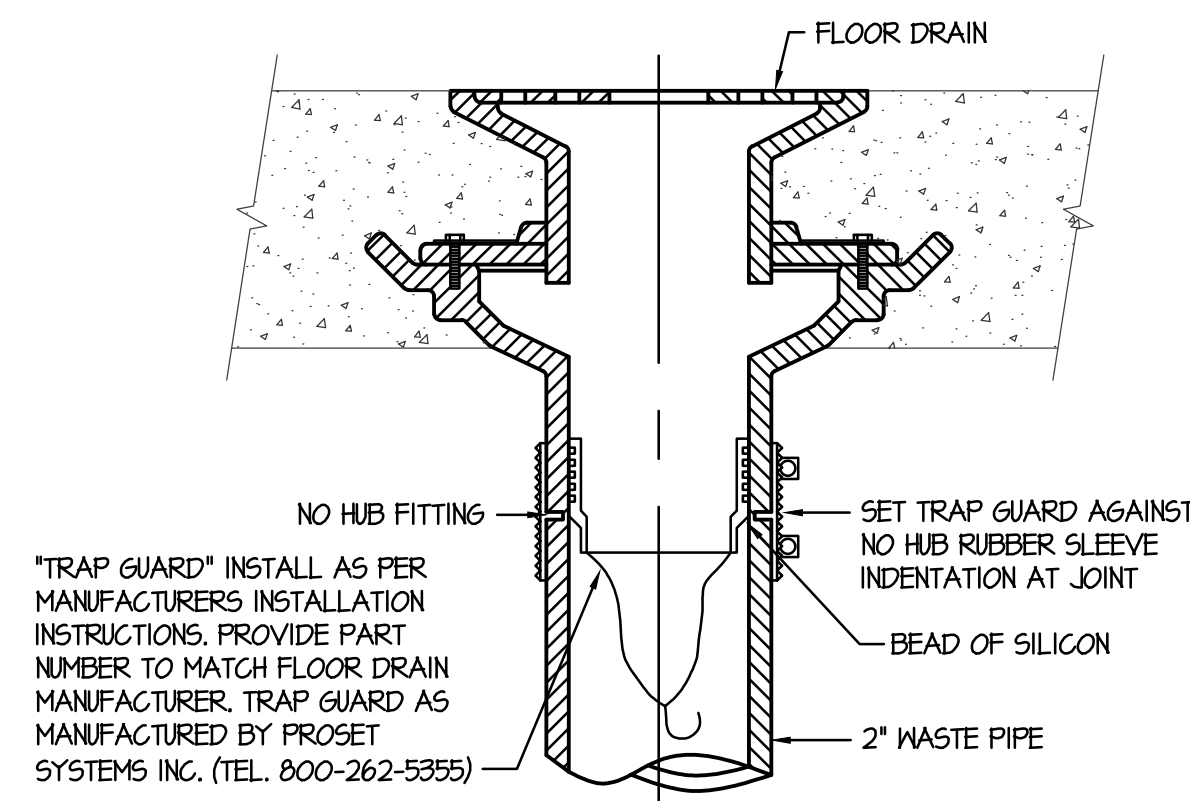
B PIPE HANGER DETAIL
NO SCALE



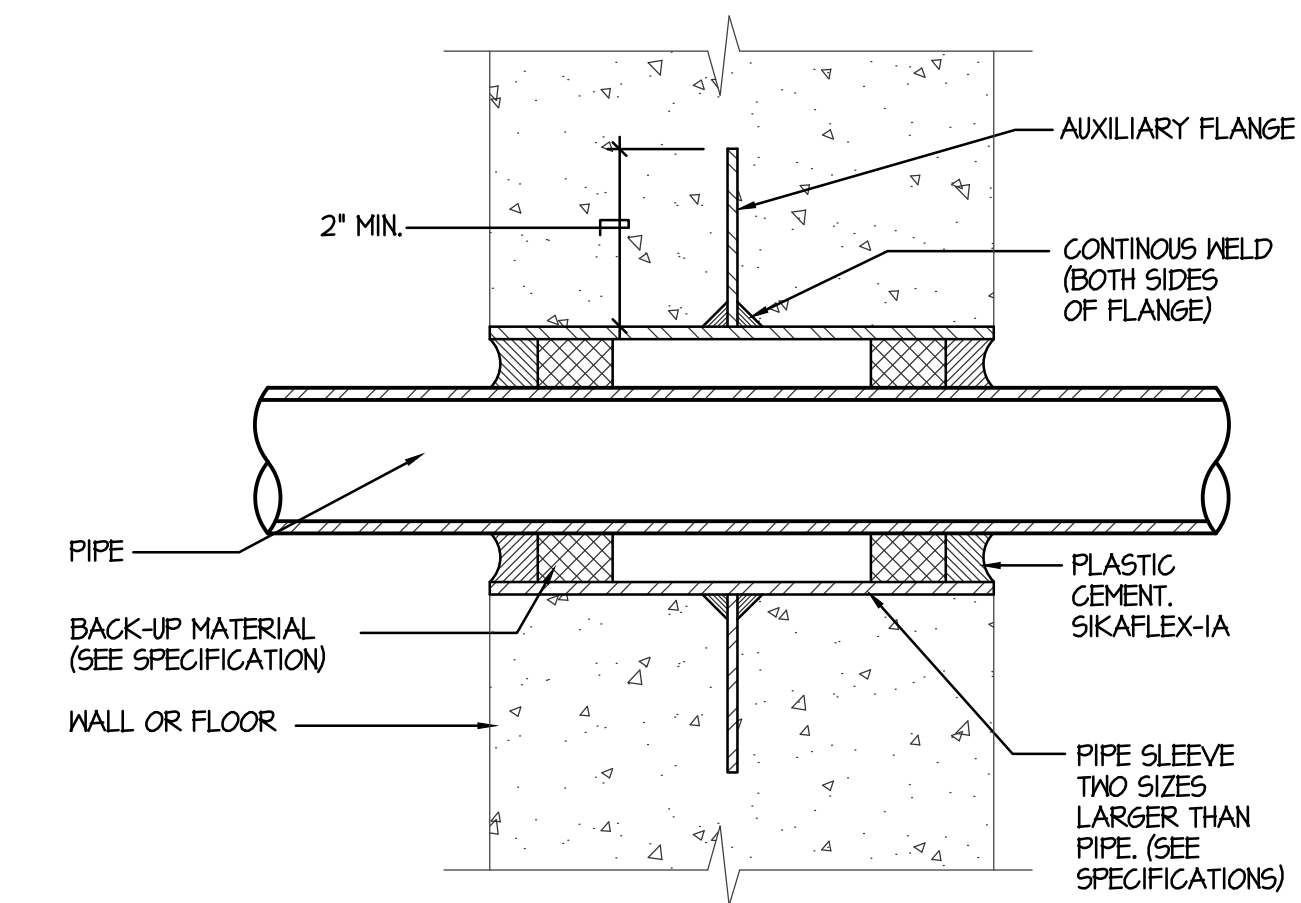
C DX COIL CONDENSATE DRAIN DETAIL
SCALE: NONE



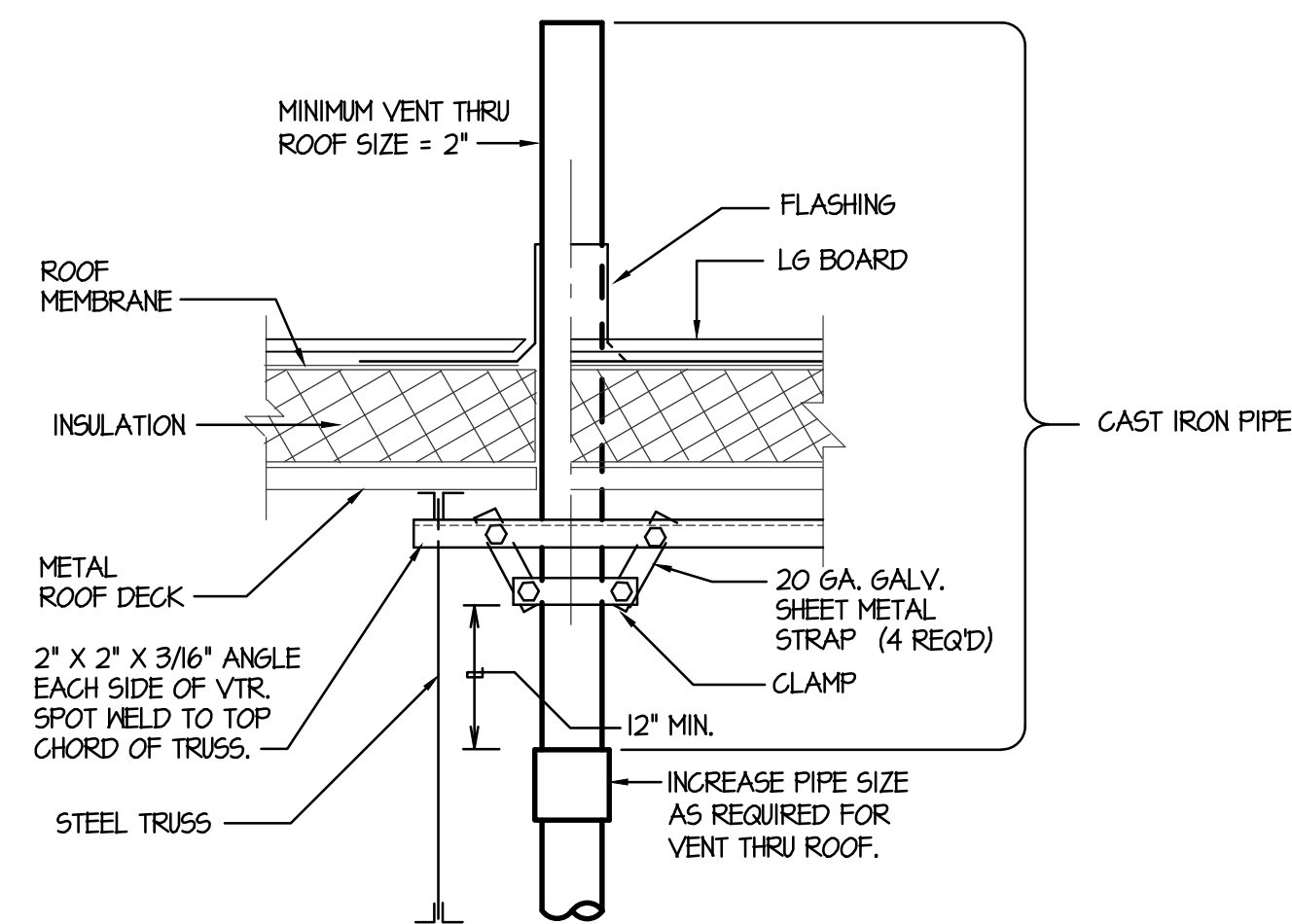
D FLOOR SINK DETAIL
NO SCALE



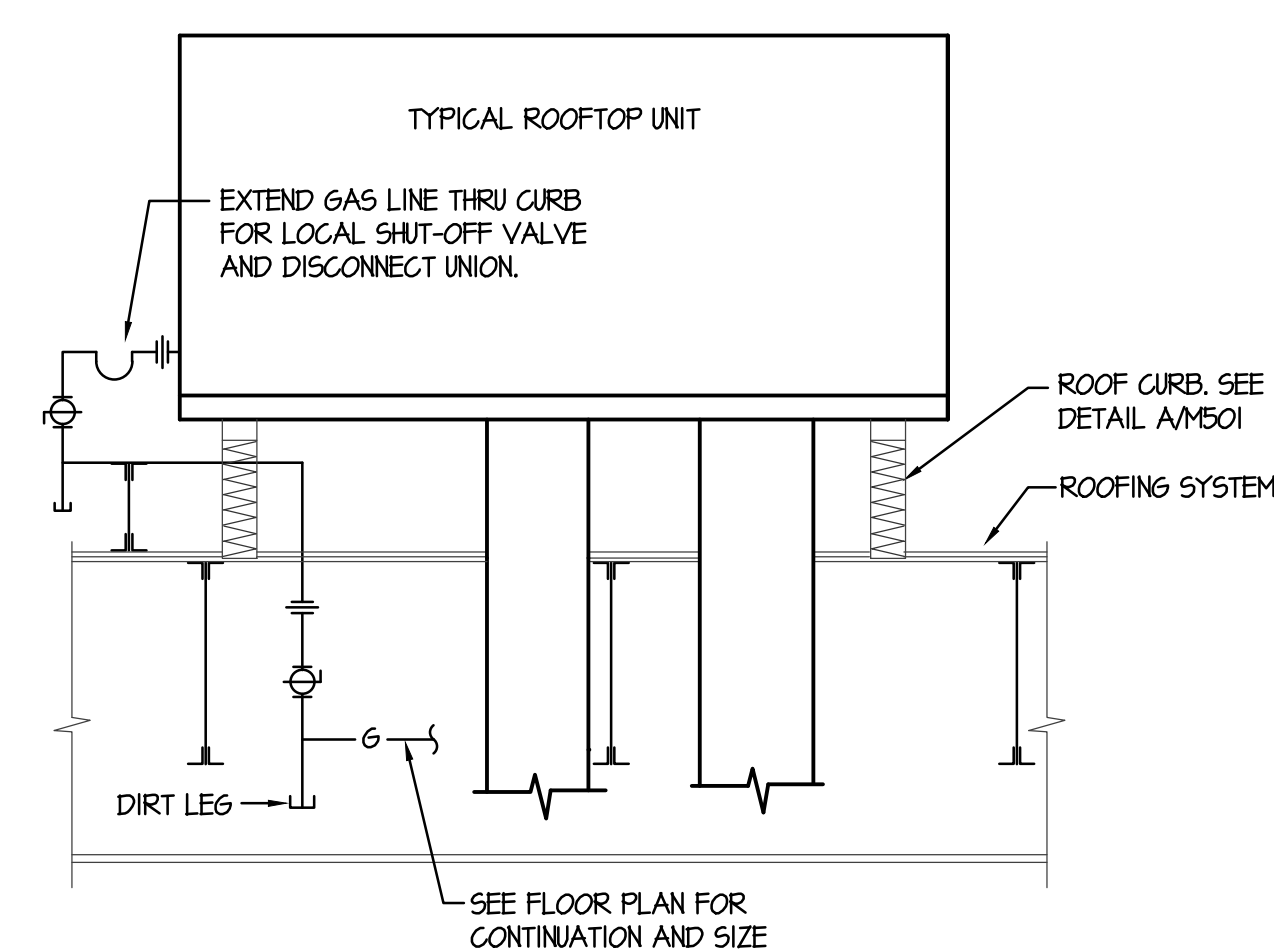
E TRAP GUARD TRAP SEAL DETAIL
NO SCALE



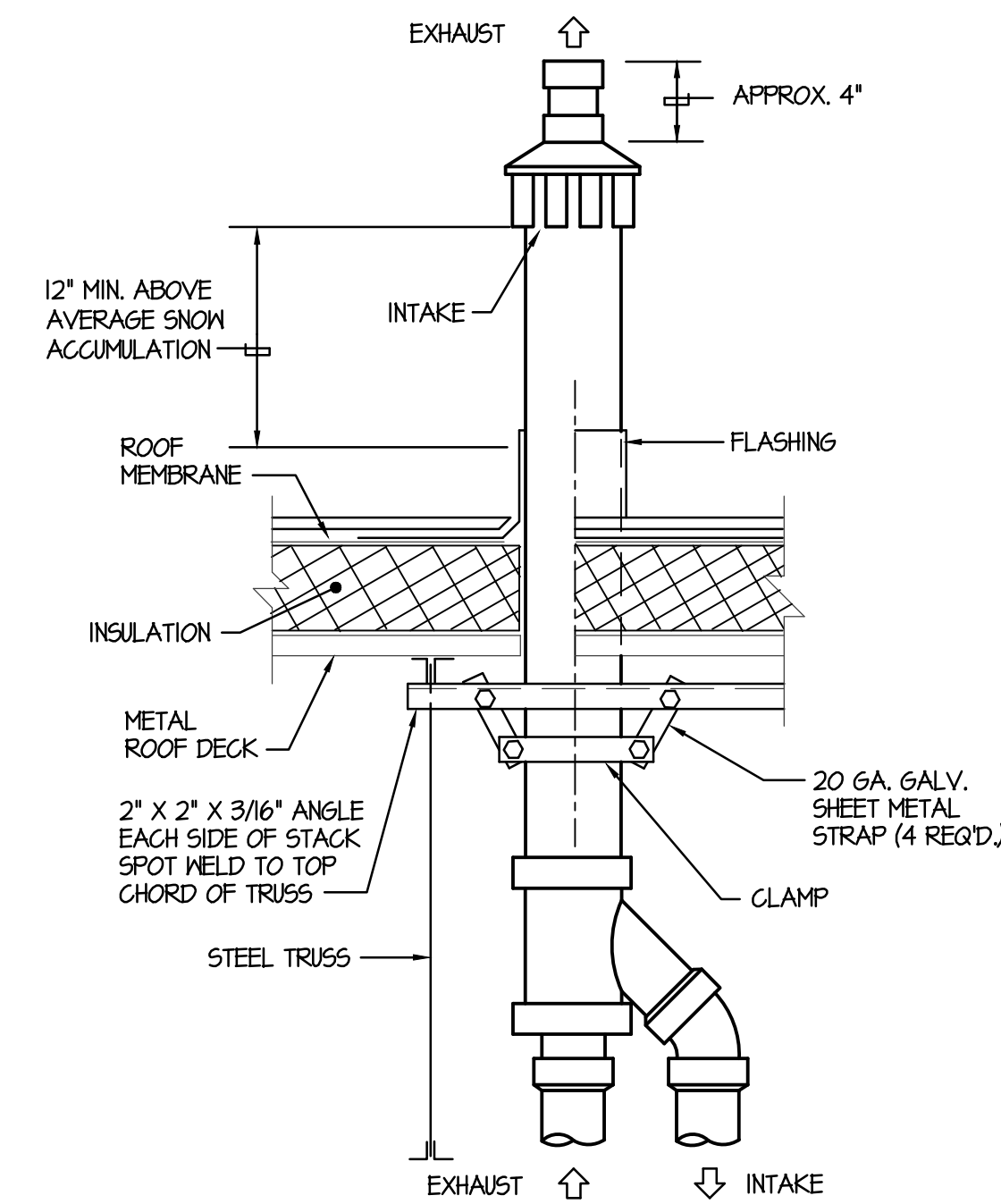
F PIPE SLEEVE DETAIL
NO SCALE



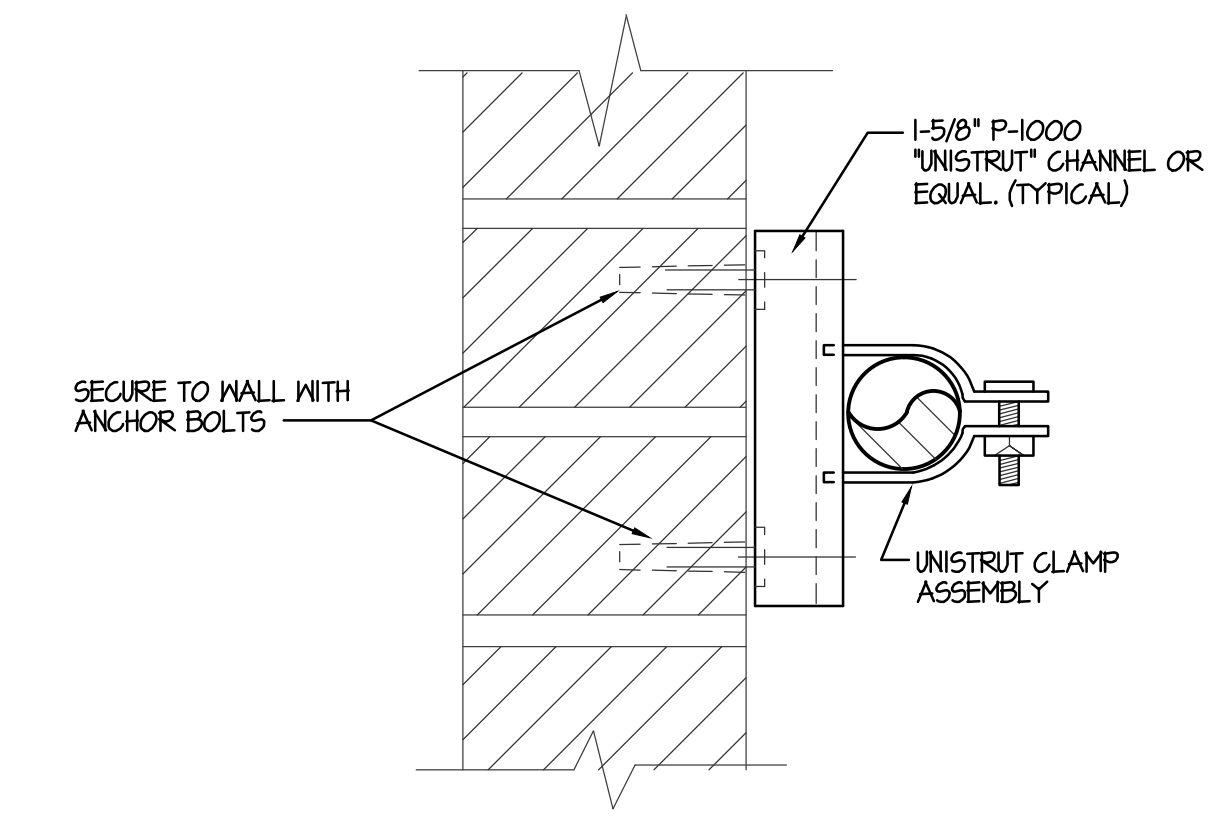
G VENT THRU ROOF (VTR) DETAIL
NO SCALE



H GAS LINE CONNECTION DETAIL
NO SCALE

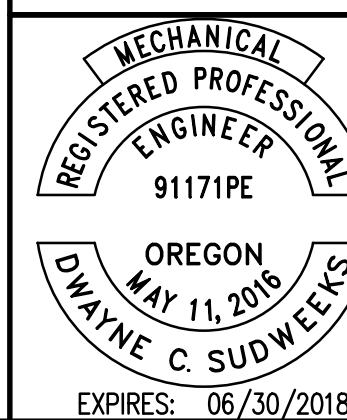


J CONCENTRIC ROOF TERMINATION DETAIL
NO SCALE



K PIPE SUPPORT DETAIL
NO SCALE

ORIGINAL DRAWING SIGNED BY: DWAYNE C. SUDWEERS
 DATE ORIGINAL SIGNED: April 15, 2018
 ORIGINAL ON FILE AT ENGINEERED SYSTEMS ASSOCIATES
 1355 EAST CENTER, POCATELLO, IDAHO 83201



Engineered Systems Associates
 1355 EAST CENTER
 POCATELLO, IDAHO 83201
 PHONE: (208) 233-0501
 FAX: (208) 233-0529
 EMAIL: esa@engsystems.com
 ESA JOB NUMBER: 16038