

Stamp:

SPRINGFIELD OREGON
BISHOPS
STOREHOUSE
SPRINGFIELD OREGON

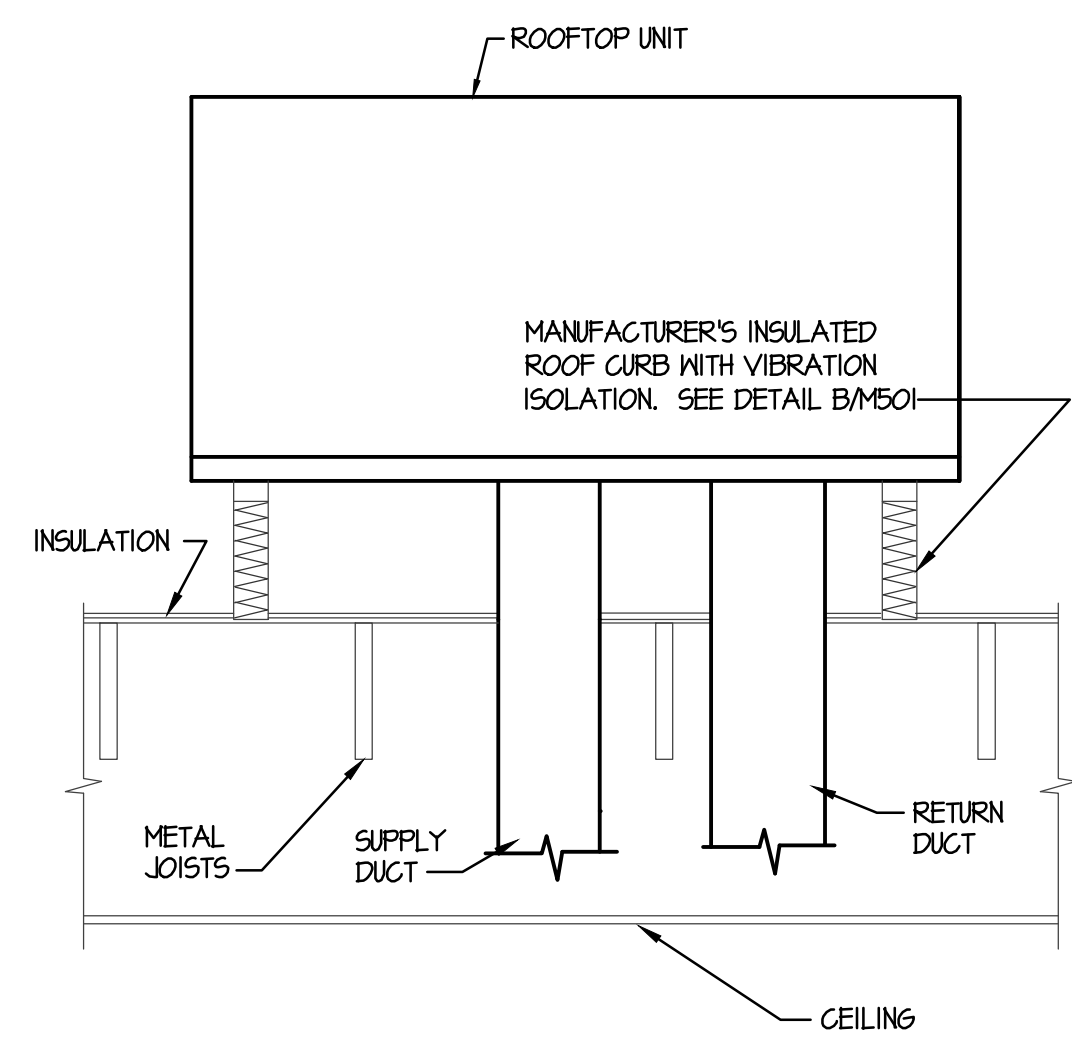
Project for:
THE CHURCH OF
JESUS CHRIST
OF LATTER-DAY SAINTS

Project Number:
WEC 15504
Plan Series: JRWA Proj. 662

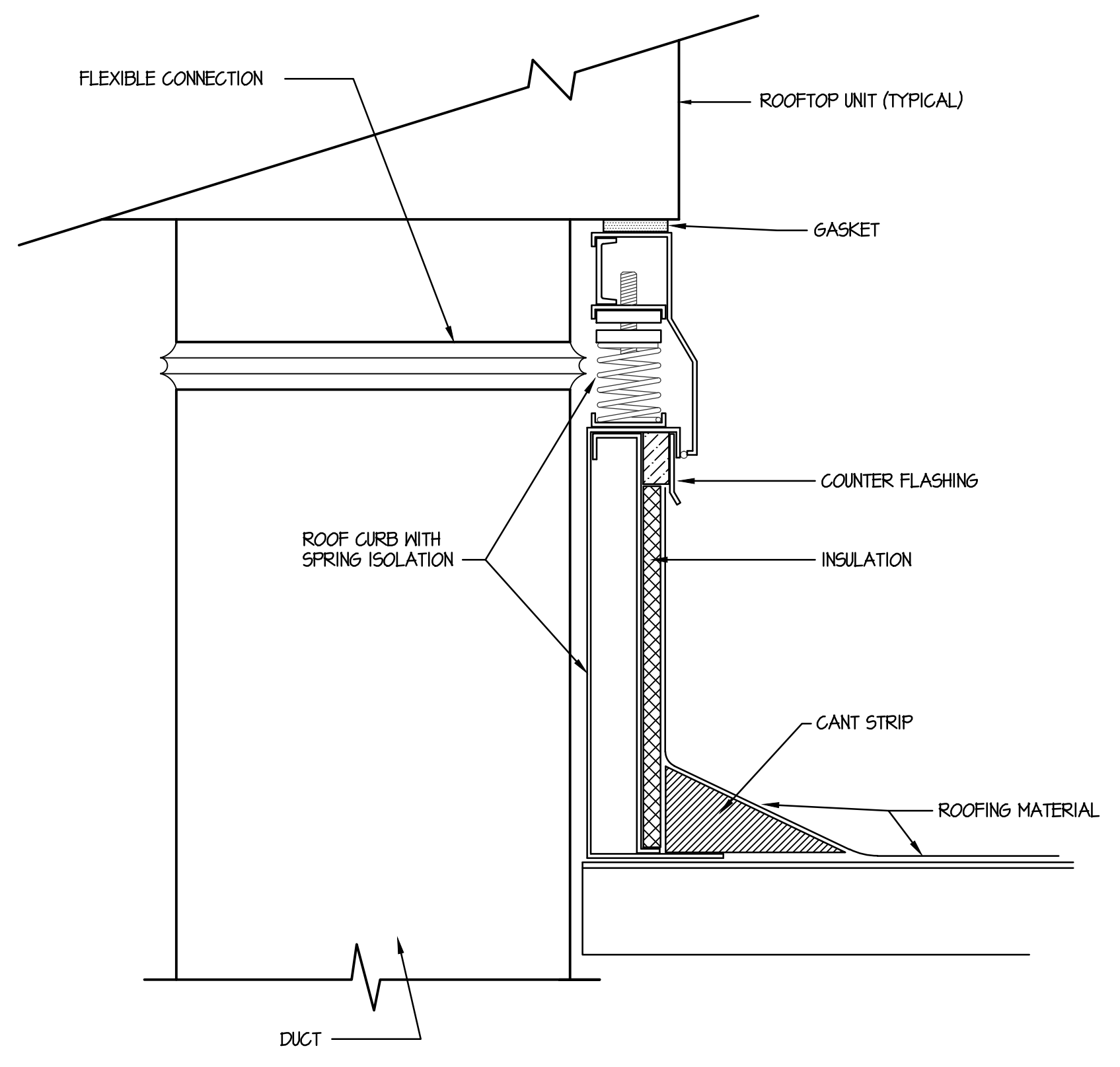
Property Number:
541-8550

Sheet Title:
**MECHANICAL
DETAILS**

Sheet:
M501



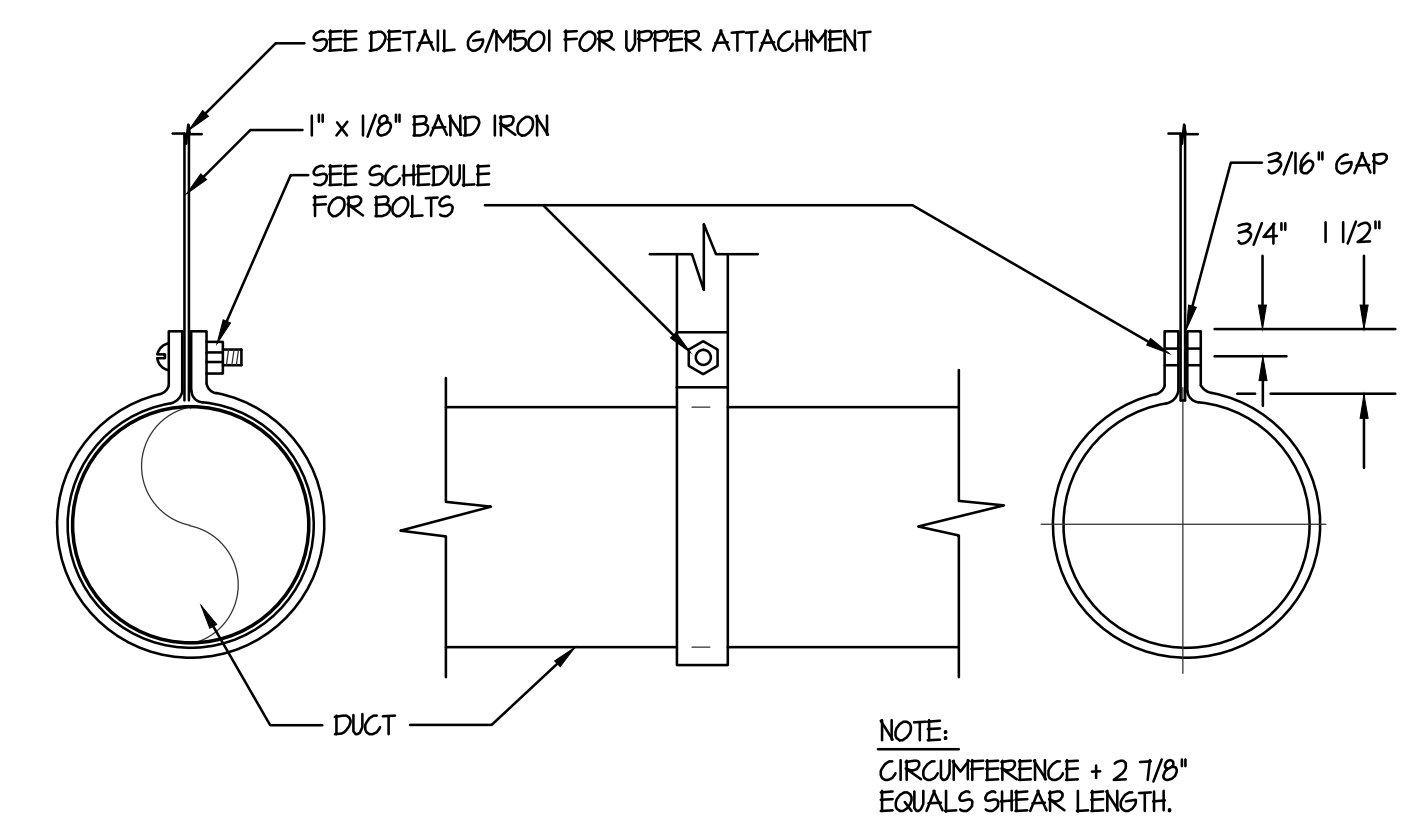
(A) ROOFTOP UNIT DETAIL
NOT TO SCALE



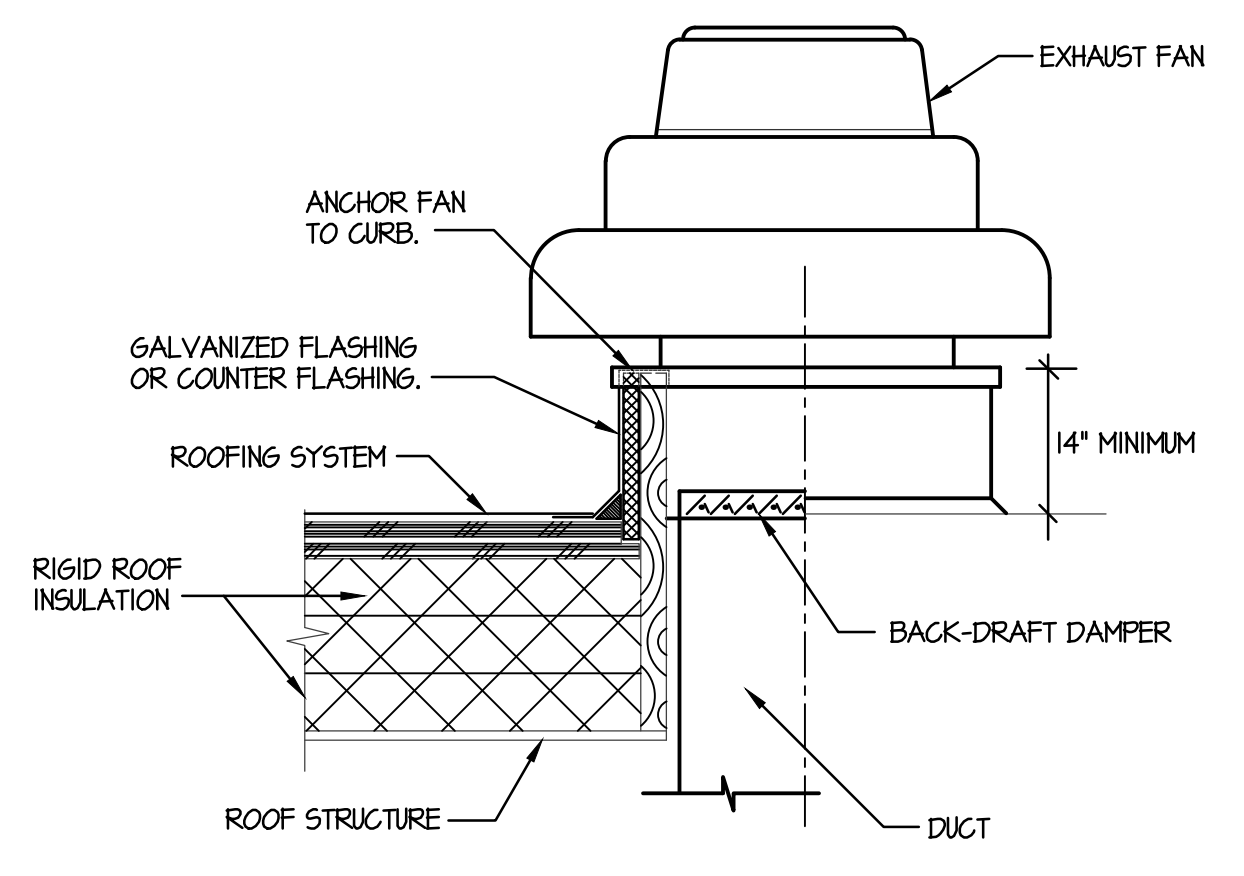
(B) ROOF CURB DETAIL
NOT TO SCALE

ROUND DUCT LOW PRESSURE HANGER SCHEDULE

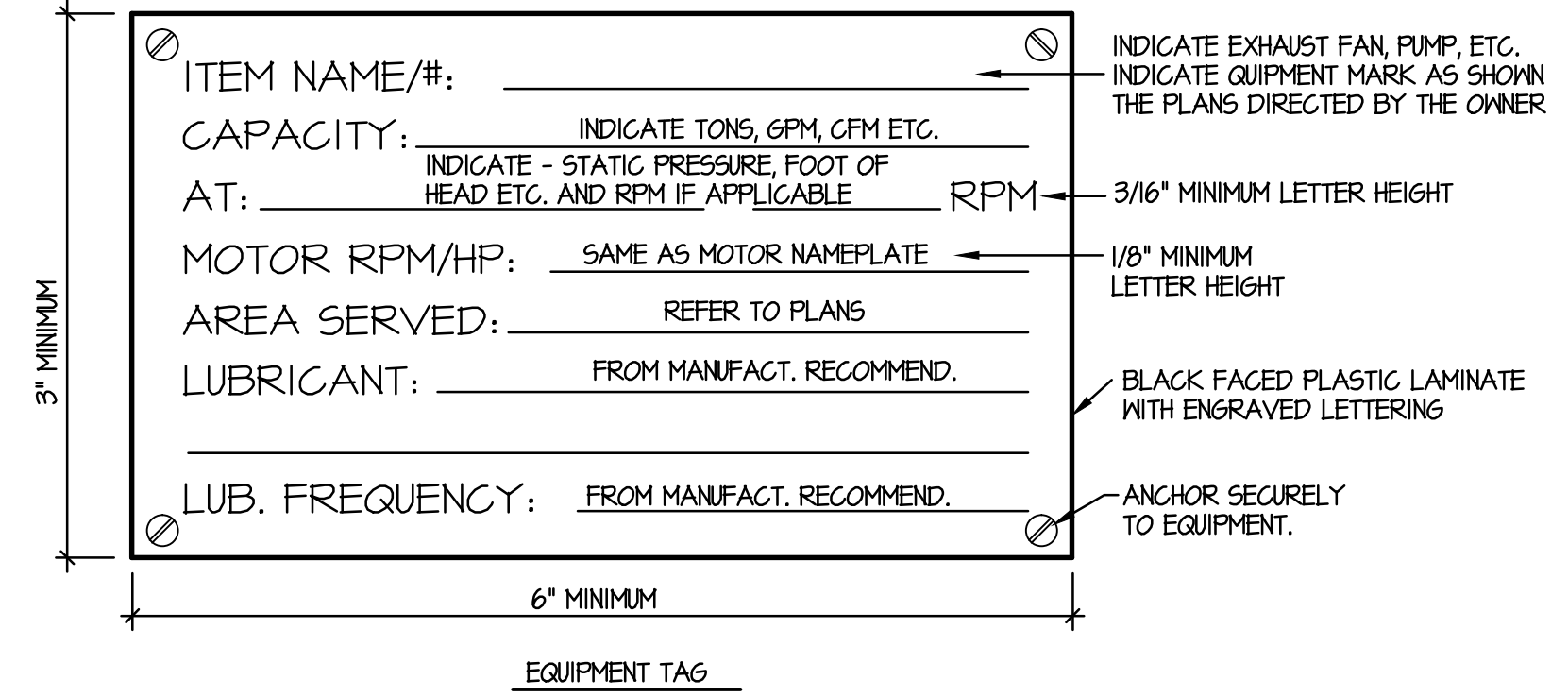
DUCT DIAMETER	MIN. HANGER SIZE GALV. STEEL STRAP	RECOMMENDED SPACING	NO. OF HANGERS	HANGER RING SIZE	BOLT SIZE
UP TO 18"	1" X 1/8"	10 FT.	1	1 X 16 GA.	3/8"
19" TO 36"	1" X 1/8"	10 FT.	1	1" X 1/8"	1/2"
37" TO 50"	1" X 1/8"	10 FT.	1	1" X 1/8"	1/2"



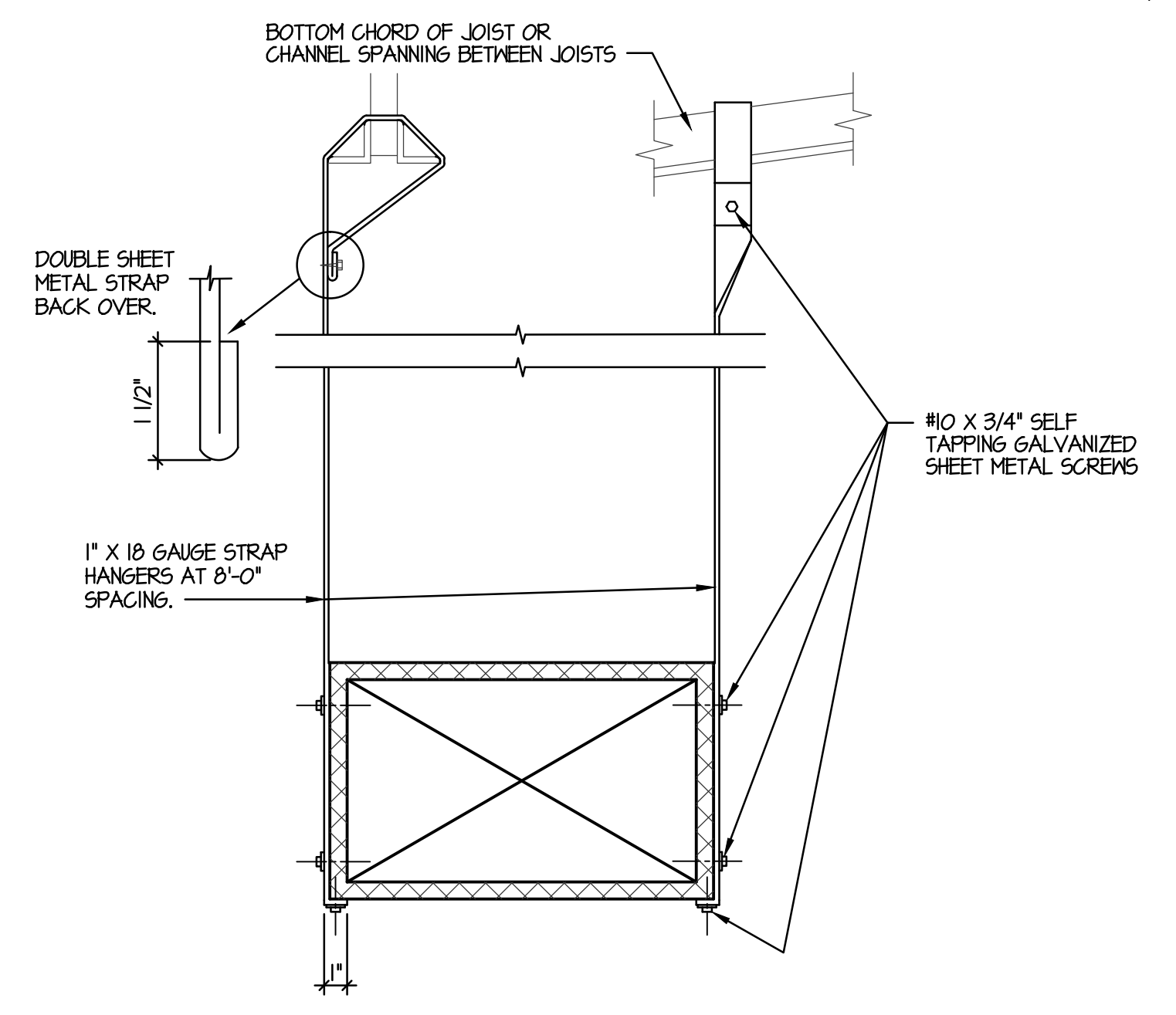
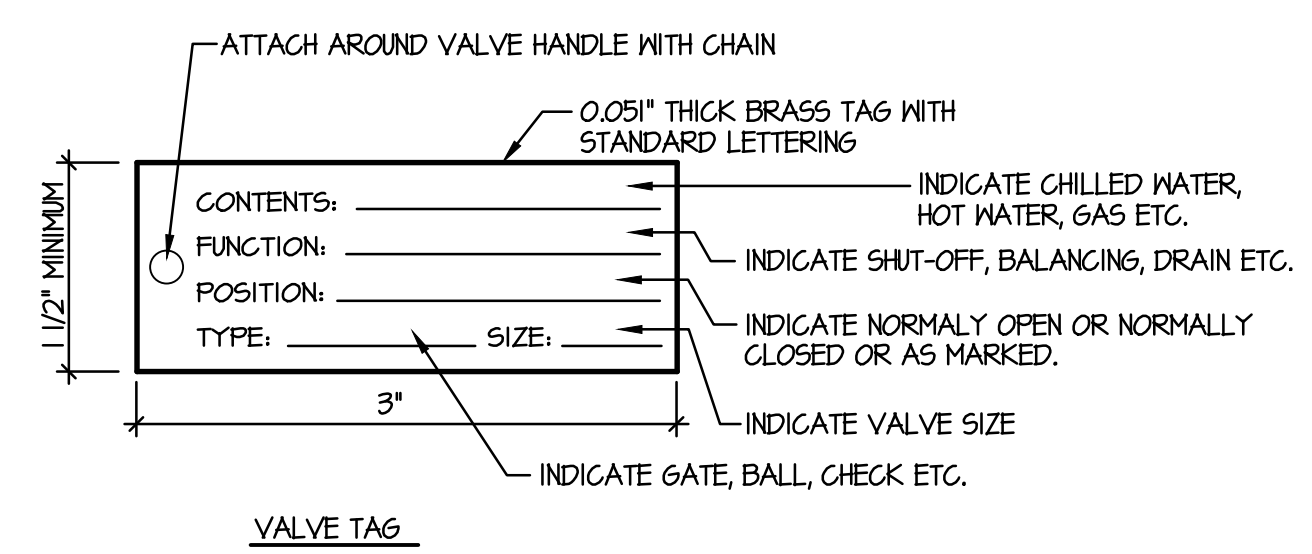
(C) DUCT HANGER DETAIL
NOT TO SCALE



(D) ROOF EXHAUST FAN DETAIL
NOT TO SCALE



(E) IDENTIFICATION TAG DETAILS
NOT TO SCALE



(G) DUCT STRAP HANGER DETAIL
SCALE: NONE

DUCT CONSTRUCTION SCHEDULE (H)

DIMENSION OF LONGEST SIDE, INCHES	SHEET METAL GAUGE (ALL FOUR SIDES)	MINIMUM REINFORCING ANGLE SIZE AND MAXIMUM LONGITUDINAL SPACING BETWEEN TRANSVERSE JOINTS &/OR INTERMEDIATE REINFORCING	TRANSVERSE REINFORCING (1)				
			AT JOINTS				
			DRIVE SLIP	FLAIN S SLIP	HEM'D S SLIP	ALTERNATE BAR SLIP	REIN-FORCED BAR SLIP
UP THRU 12	26	NONE REQUIRED	1	26	26	24	24
13 - 18	24	NONE REQUIRED	1	24	24	24	24
19 - 30	24	1"x1/8" @ 60 IN	1	-	24	24	24
31 - 36	22	1"x1/8" @ 60 IN	1	-	-	22	22

(1) TRANSVERSE REINFORCING SIZE IS DETERMINED BY DIMENSION OF SIDE TO WHICH ANGLE IS APPLIED.
(2) LONGITUDINAL JOINTS TO BE PITTSBURG OR SNAP LOCK TYPE.

(H) DUCT CONSTRUCTION SCHEDULE
SCALE: NONE

ORIGINAL DRAWING SIGNED BY: DWAYNE C. SUDWEKES
DATE ORIGINAL SIGNED: April 15, 2018
ORIGINAL ON FILE AT ENGINEERED SYSTEMS ASSOCIATES
1355 EAST CENTER, POCATELLO, IDAHO 83201



Engineered Systems Associates
1355 EAST CENTER
POCATELLO, IDAHO 83201
PHONE: (208) 233-0501
FAX: (208) 233-0529
EMAIL: esa@engsystems.com
ESR JOB NUMBER: 16038

EXPIRES: 06/30/2018