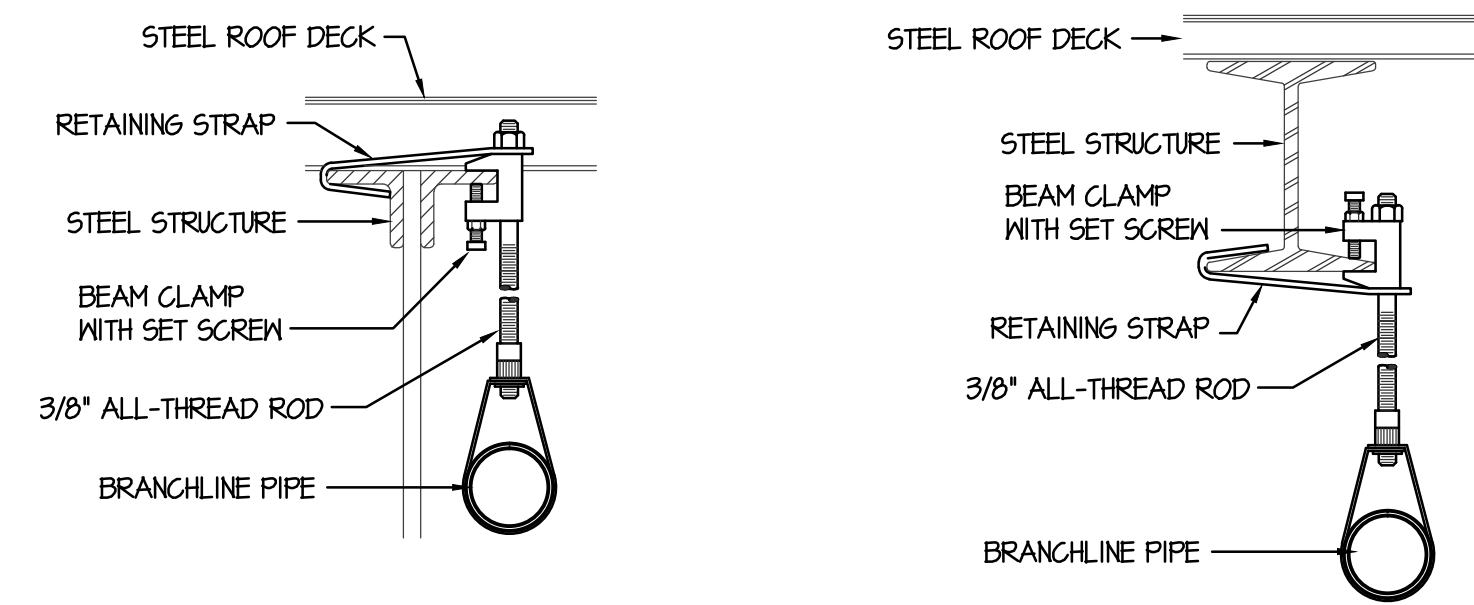


MET RISER DETAIL KEYED NOTES:

1. WATER SUPPLY FROM CITY WATER MAIN. SEE SITE UTILITY PLAN FOR CONTINUATION.
2. FLEXIBLE GROOVED PIPE COUPLING WHEN SEISMIC BRACING IS REQUIRED. SEE NOTE #12.
3. GROOVED BUTTERFLY VALVE WITH INTEGRAL SUPERVISORY SWITCH
4. DOUBLE CHECK BACKFLOW PREVENTER WITH RELATED TRIM AND GAUGES
5. 3/4" DIAMETER WATER GAUGE WITH 1/2" TEST AND ISOLATION VALVE.
6. VANE TYPE WATER FLOW SWITCH SUPPLY TO MET PIPE FIRE SPRINKLER SYSTEM
7. SHING CHECK VALVE
8. RISER MANIFOLD - INCLUDES PRESSURE GAUGE, FLOW SWITCH, PRESSURE RELIEF VALVE, AND TEST AND MAIN DRAIN DEVICE.
10. INSPECTOR'S TEST & DRAIN VALVE - PIPE TO OUTSIDE.
11. PRESSURE RELIEF VALVE - REQUIRED - SET AT ITS PSI.
12. SEISMIC BRACING REQUIRED IN SEISMIC DESIGN CATEGORY C, D, E, F. SEE DESIGN CRITERIA SCHEDULE ON SHEET S001.
13. 1/2" AUTOMATIC BALL DRIP VALVE
14. DRAIN PIPING TO OUTSIDE WITH GALVANIZED PIPE, 45 ELL, AND H-PC GALV. COLLAR.
15. WEATHERPROOF VOICE ALARM/STROBE (OUTSIDE)
16. OUT TO FIRE DEPARTMENT CONNECTION WITH GALVANIZED SCH 40 PIPING- PROVIDE BALL DRIP WHEN TRAPPING PIPE. SIZE CONNECTION AS REQUIRED.
- 16.1. NOTE: PIPE FDC TO REMOTE LOCATION WHEN REQUIRED BY FIRE MARSHAL.
17. GALVANIZED SPOOL PIECE WITH PRESSURE GAUGE.
18. REDUCING GROOVED COUPLING OR CONCENTRIC GROOVED REDUCER
19. ANES STAINLESS STEEL "IN-BUILDING-RISER" NO SUBSTITUTIONS, MINIMUM 6 INCH.
20. TYTON JOINT PIPE CONNECTION WITH GASKET.
21. CONCRETE THRUST BLOCK WITH 8 SQ. FEET HORIZONTAL BEARING AREA (MIN).
22. UNDISTURBED EARTH
23. LOW TEMPERATURE SENSOR - MOUNTED ON WALL - THIS SENSOR IS PROVIDED UNDER DIVISION 28 OF THE SPECIFICATIONS.
24. SPARE HEAD CABINET WITH SPARE SPRINKLER HEADS AND WRENCHES.
25. LAMINATED SYSTEM MAP WITH SYSTEM START-UP AND SHUT-DOWN INSTRUCTIONS.
26. GALVANIZED STEEL PIPE RETAINER CLAMP.
27. GALVANIZED STEEL RODS, SIZE PER NFPA 24, TO INCLUDE WASHERS, ROD COUPLINGS, AND ALL-THREAD RODS WITH DOUBLE HEX NUTS.
28. HYDRAULIC CALCULATION PLACARDS

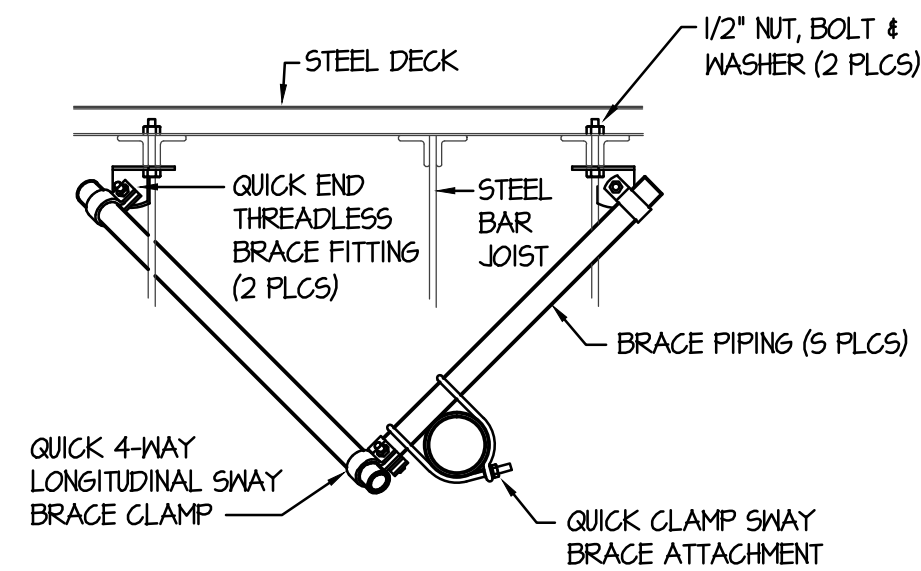
GENERAL NOTES:

1. PROVIDE SLEEVES WHERE PIPING PENETRATES BUILDING AT FLOOR AND WALLS. SEAL AROUND PENETRATION WITH FLEXIBLE MASTIC AT FLOOR. PROVIDE 2" ANNULAR SPACE AROUND PIPE.
2. ALL BURIED STEEL COMPONENTS SHALL BE PROTECTED FROM CORROSION BY THE TAR AND WRAPPED METHOD. GALVANIZED COMPONENTS ARE NOT EXEMPT FROM THIS REQUIREMENT.



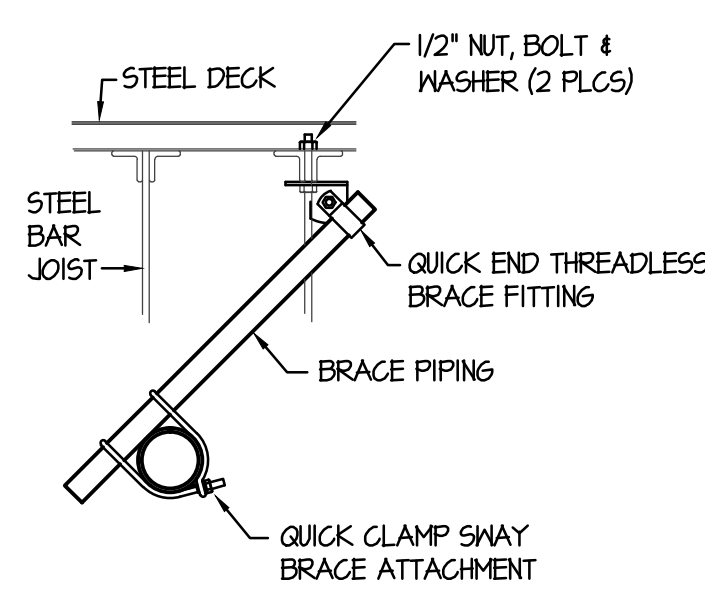
A HANGER DETAIL
SCALE: NONE

B HANGER DETAIL
SCALE: NONE

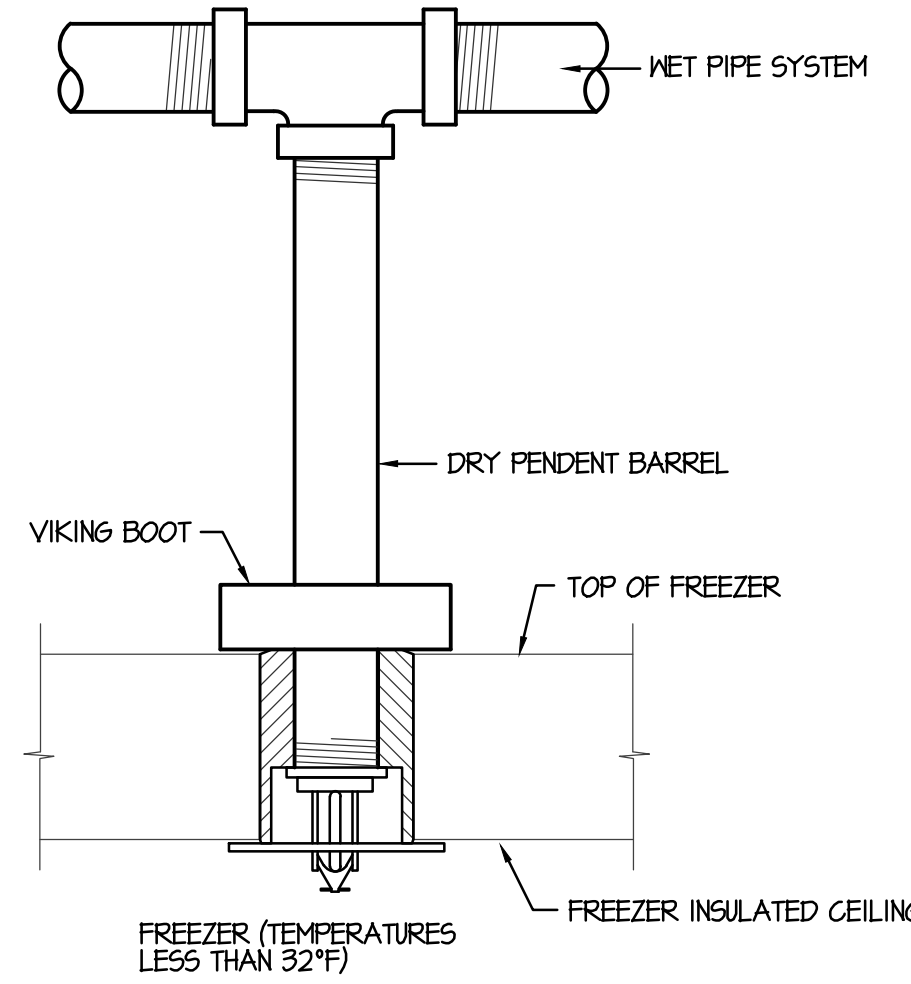


C 4-WAY SEISMIC BRACE
SCALE: NONE

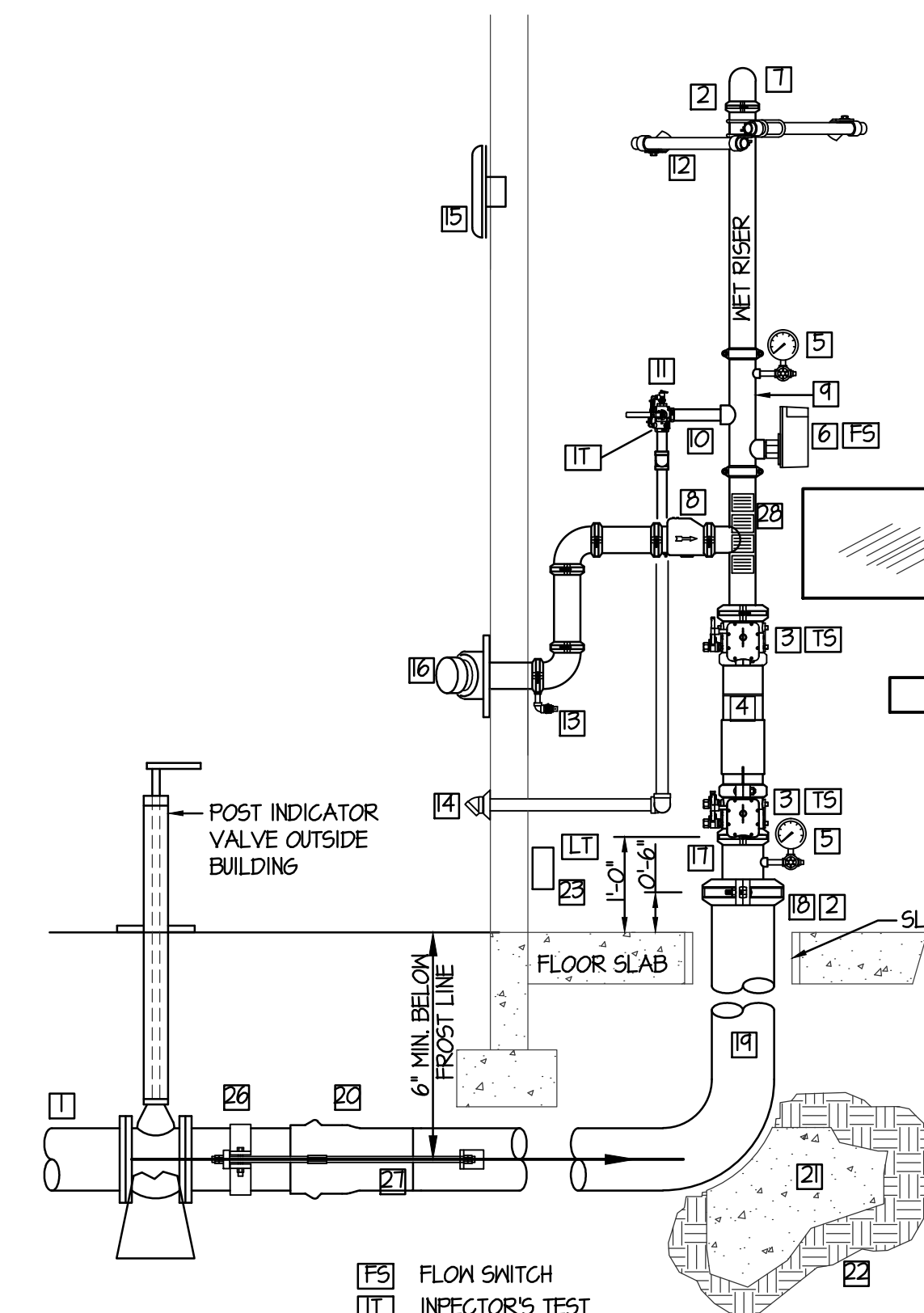
NOTE:
PROVIDE SEISMIC BRACING ONLY IN SEISMICALLY ACTIVE AREAS. BRACING SHALL CONFORM TO THE REQUIREMENTS OF NFPA 13 AND ALL STATE AND LOCAL CODES.



D 2-WAY SEISMIC BRACE
SCALE: NONE

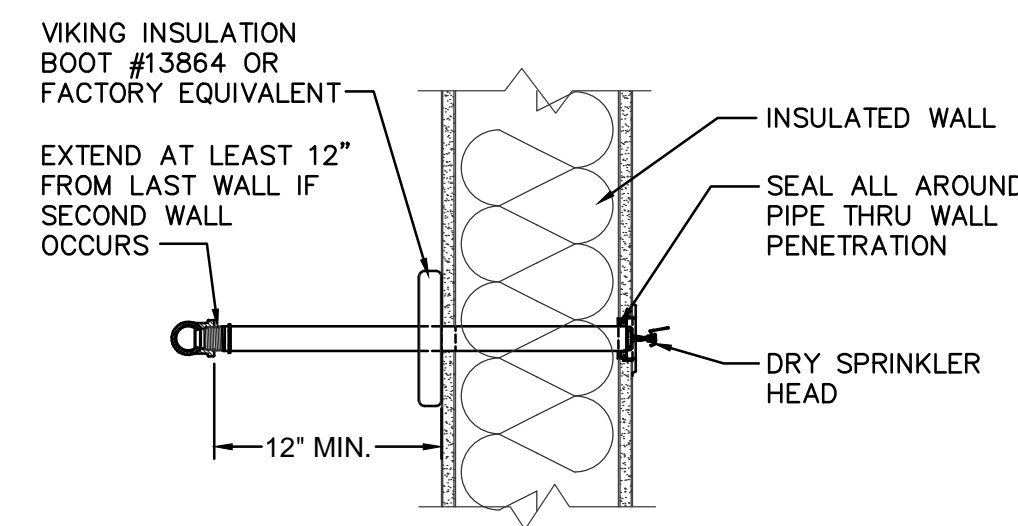


E DRY PENDENT HEAD
SCALE: NONE

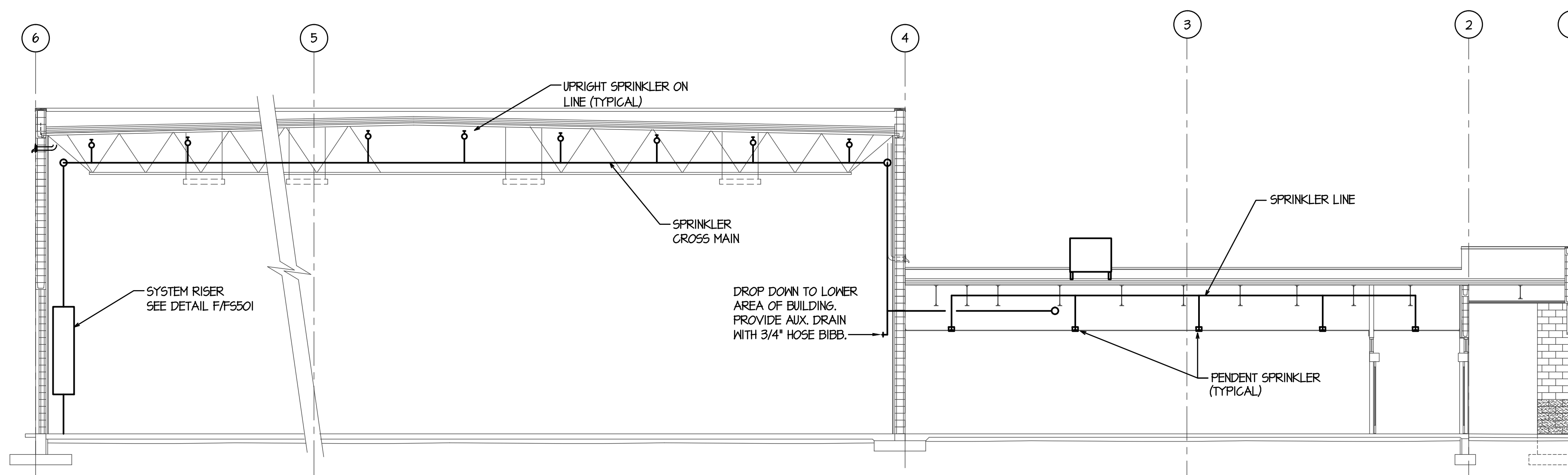


F RISER SCHEMATIC
SCALE: NONE

- FS FLOW SWITCH
- IT INSPECTOR'S TEST
- LT LOW TEMP. SENSOR
- TS TAMPER SWITCH

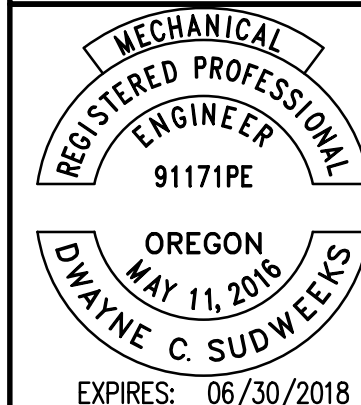


G DRY HEAD DETAIL (SIDEWALL)
SCALE: NONE



I BUILDING SECTION
SCALE: 1/8" = 1'-0"

ORIGINAL DRAWING SIGNED BY: DWAYNE C. SUDWECKS
DATE ORIGINAL SIGNED: April 15, 2018
ORIGINAL ON FILE AT ENGINEERED SYSTEMS ASSOCIATES
1355 EAST CENTER, POCATELLO, IDAHO 83201



Engineered Systems Associates
1355 EAST CENTER
POCATELLO, IDAHO 83201
PHONE: (208) 233-0501
FAX: (208) 233-0529
EMAIL: esa@engsystems.com
ESA JOB NUMBER: 16038